



# Cal. VX7RE

$\phi$  29.5 mm  
H 3.99 mm

Items	Rev.	Page
Specifications	00	1
Appearance	00	2
Casing	00	3
Hand fitting	00	4
Hand setting stem	00	5
Dial	00	6
Casing ring	00	7
Operation	02	8

Date: 25/Jun./'13

S.EPSON Products

## MOVEMENT SPECIFICATIONS

**CAL. VX7RE**

Analog Quartz 12 3/4" Movement / 3 hands (H/M/S) and 2 eyes  
with Date / 24 Hour indicators

**1. MOVEMENT DIMENSIONS**

Outside diameter	$\phi 29.50\text{mm} \times 26.00\text{mm}(3-9\text{H}) \times 29.36\text{mm}(12-6\text{H})$
Casing diameter	$\phi 28.60\text{mm} \times 25.60\text{mm}(3-9\text{H}) \times 28.60\text{mm}(12-6\text{H})$
Total height	3.99mm ( including battery )

**2. TIME STANDARD**

Type of quartz oscillator	Tuning fork
Frequency of quartz oscillator	32,768 Hz
Accuracy	$\pm 20$ seconds per month ( on wrist )
Operating temperature range	$-5^{\circ}\text{C}$ to $+50^{\circ}\text{C}$
Regulation device	Nil ( Pre-adjusted )

**3. INDICATOR / FUNCTIONS**

3 Hands	Hour / Minute / Second
2 Small hands	Date(6H) / 24 Hour(9H)
Reset switch	
Setting mechanism	Crown at normal position : Free
	Crown pulled out 1st click : Instant date change
	Crown pulled out 2nd click : Time setting / Reset

**4. FEATURES**

Jewels	0 Jewels
Anti-magnetism	Over 1600A/m ( Direct current magnetic field )
Maximum unbalance of hands	Second hand : $0.1 \mu \text{N}\cdot\text{m}$
	Minute hand : $0.9 \mu \text{N}\cdot\text{m}$
	Hour hand : $0.9 \mu \text{N}\cdot\text{m}$

**5. BATTERY**

Type / Size	Silver oxide battery / $\phi 9.5\text{mm} \times t 2.7\text{mm}$
Recommended battery	SR927SW ( Maxell, Panasonic, Sony, Seizaiken )
Nominal voltage	1.55 V
Battery life	Approx. 3 years
Driving current consumption	Approx. $2.1 \mu \text{A}$
Operation stopping voltage	1.1 V

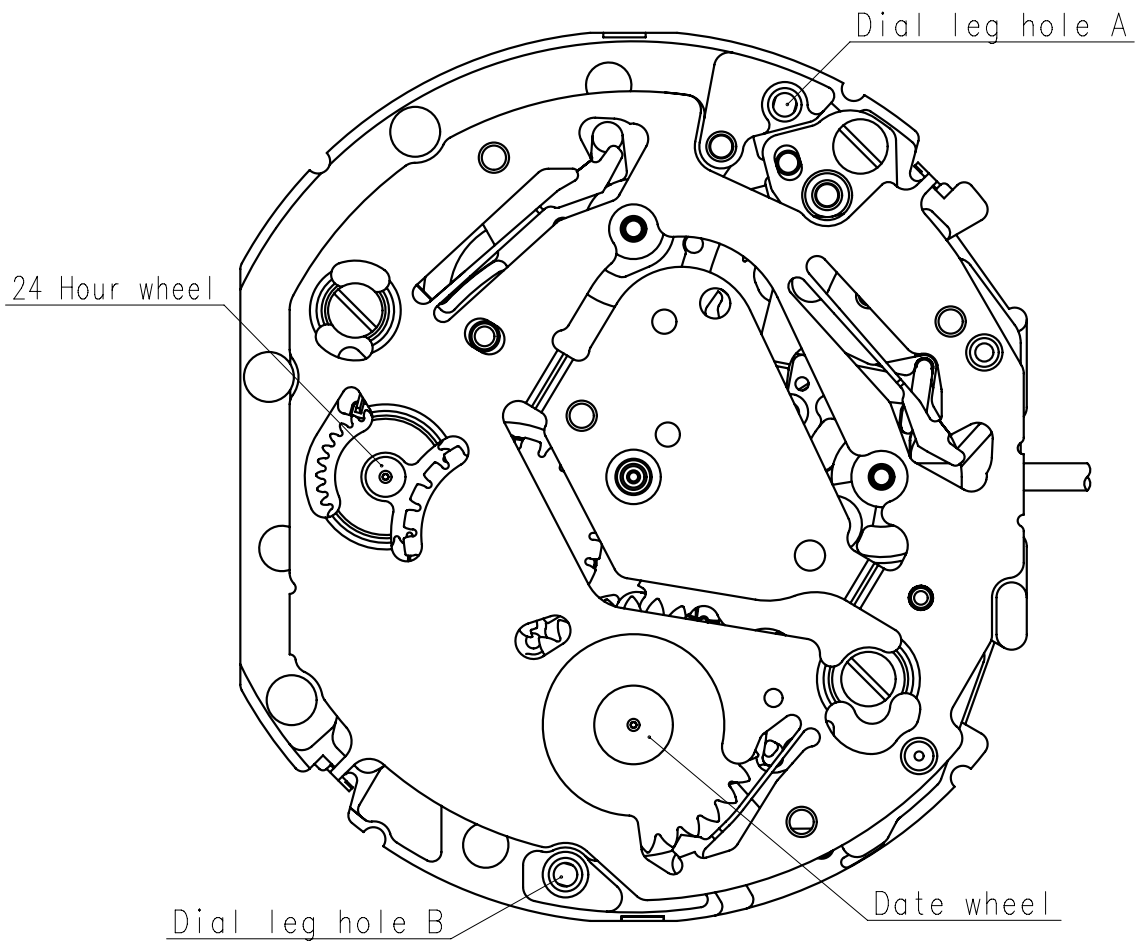
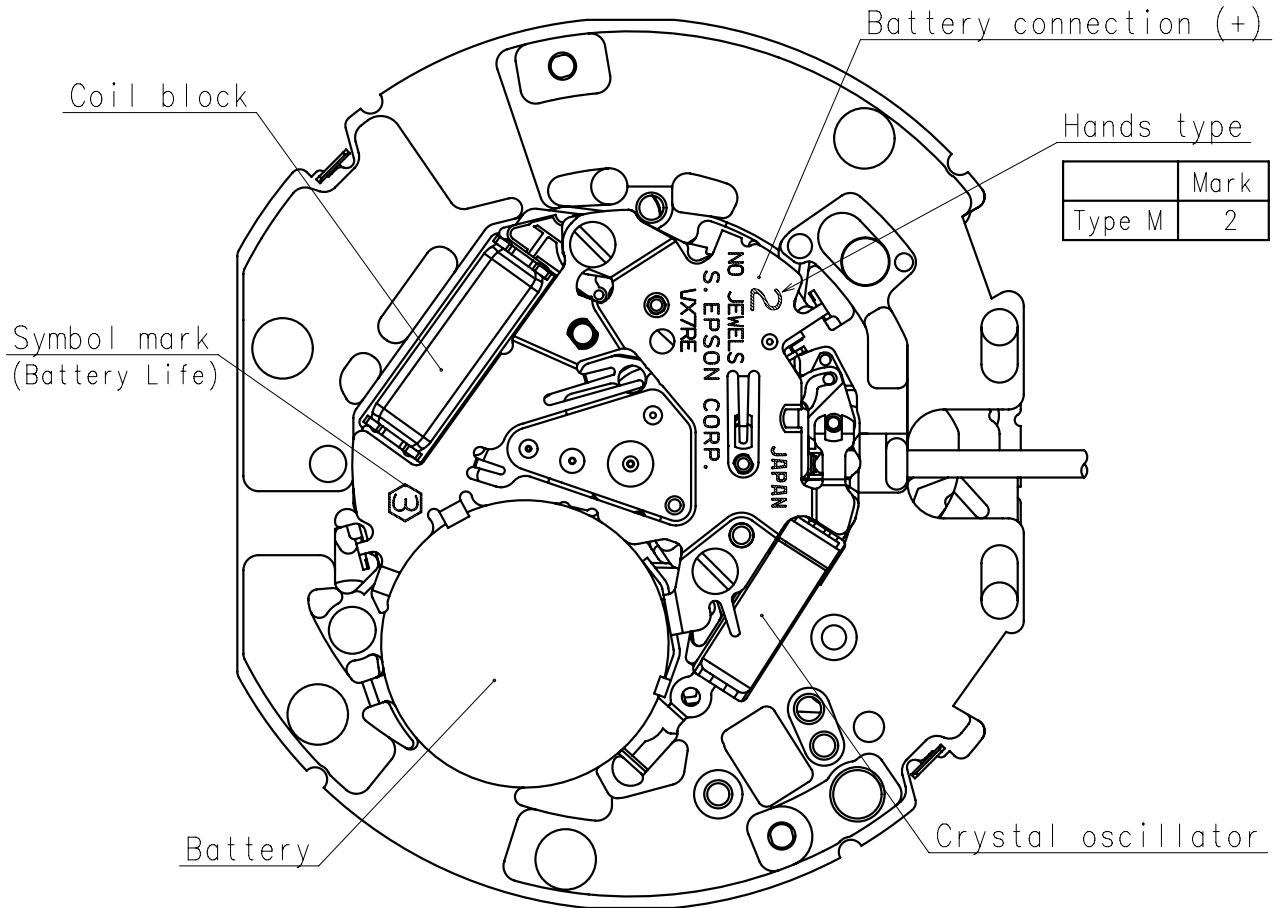
**6. SEPARATED PARTS (Parts code)**

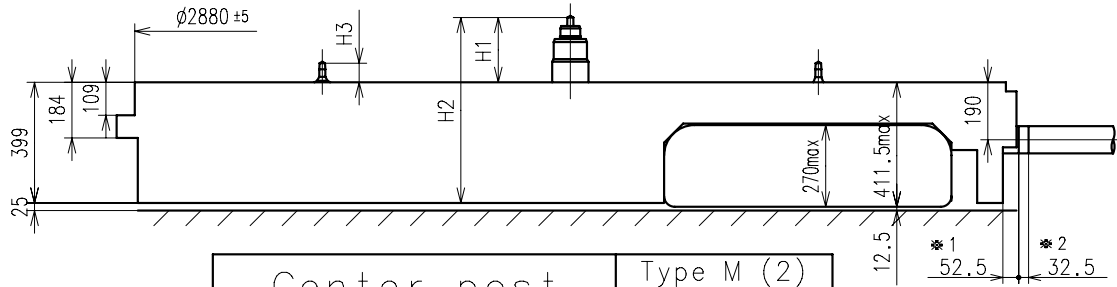
Hand setting stem	0351578
Battery	SR927SW

**7. TEST OF ACCURACY**

Equipment to be used	SEIKO quartz tester QT-99, Greiner quartz timer-C , Witschi Q-tester 4000
Duration of measurement	10 seconds
Microphone to be used	Electromagnetic detection type

All specifications are subject to change without notice.

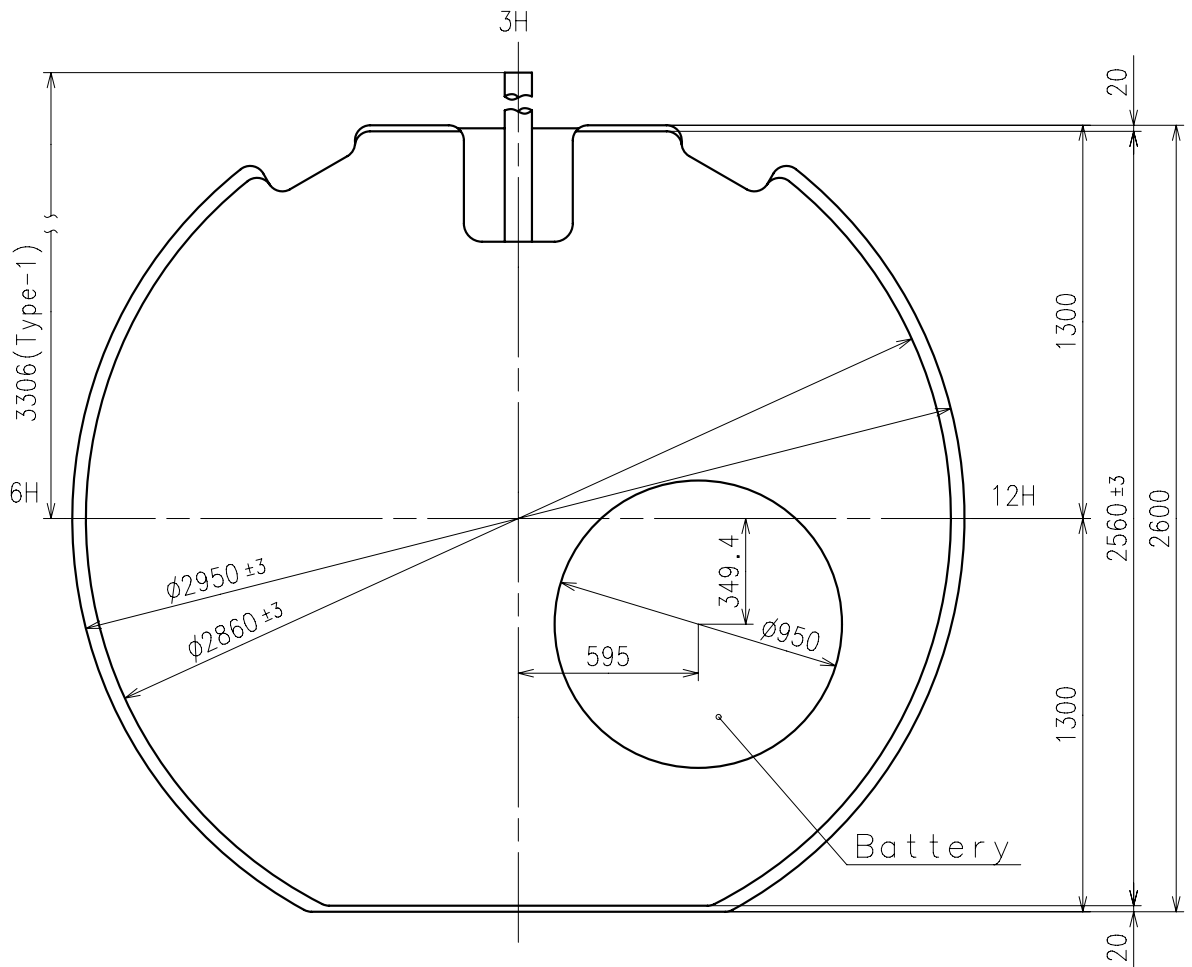




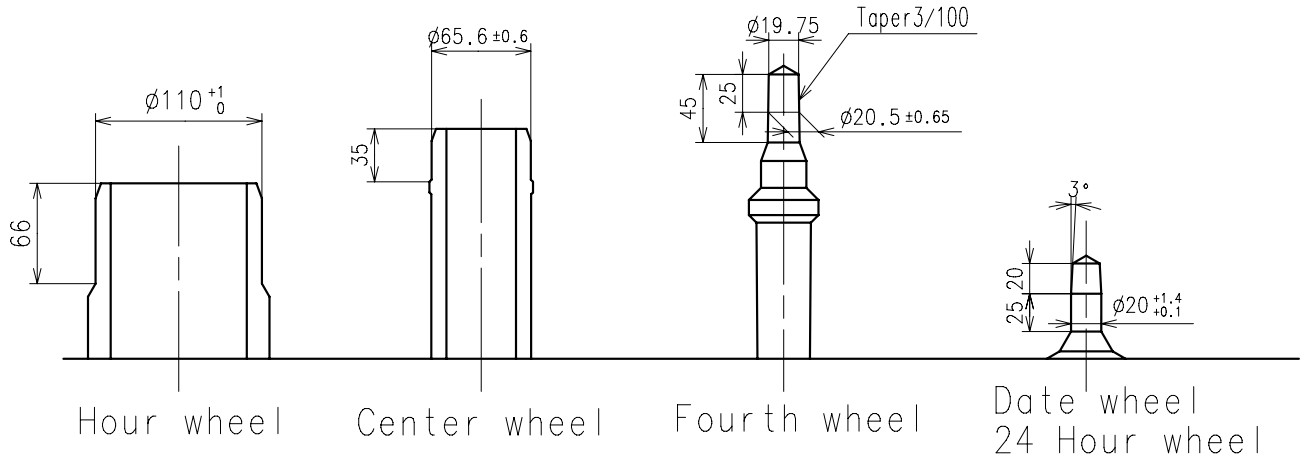
Center post		Type M (2) VX7RE **
Maximum height from dial support	H1	214
Total height including movement	H2	613
Total height from dial support	H3	63

\*1: First pullout stroke

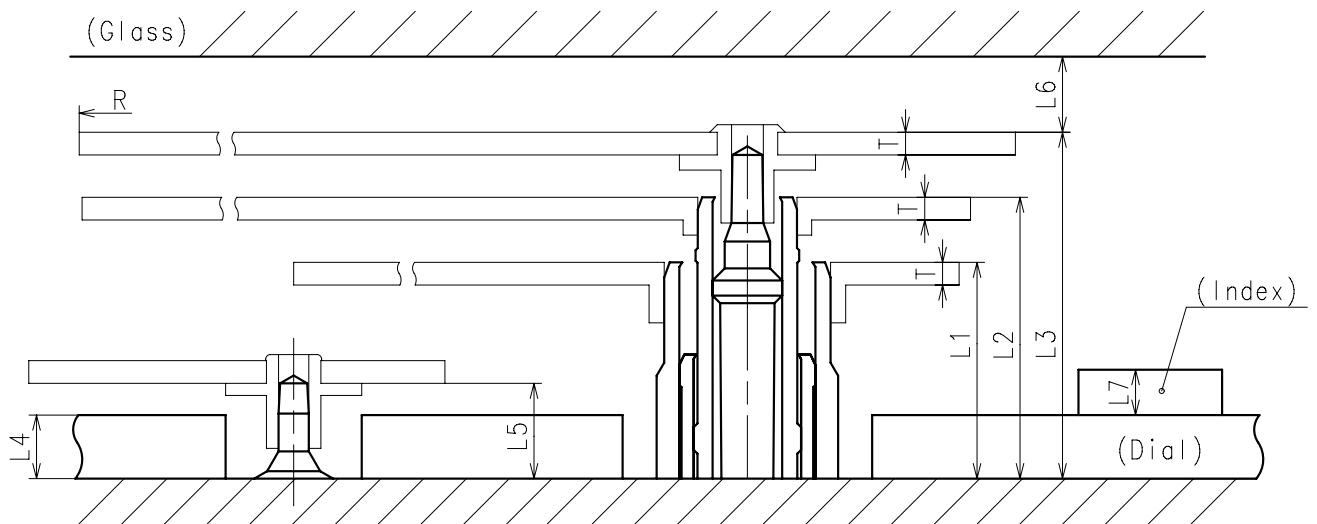
\*2: Second pullout stroke



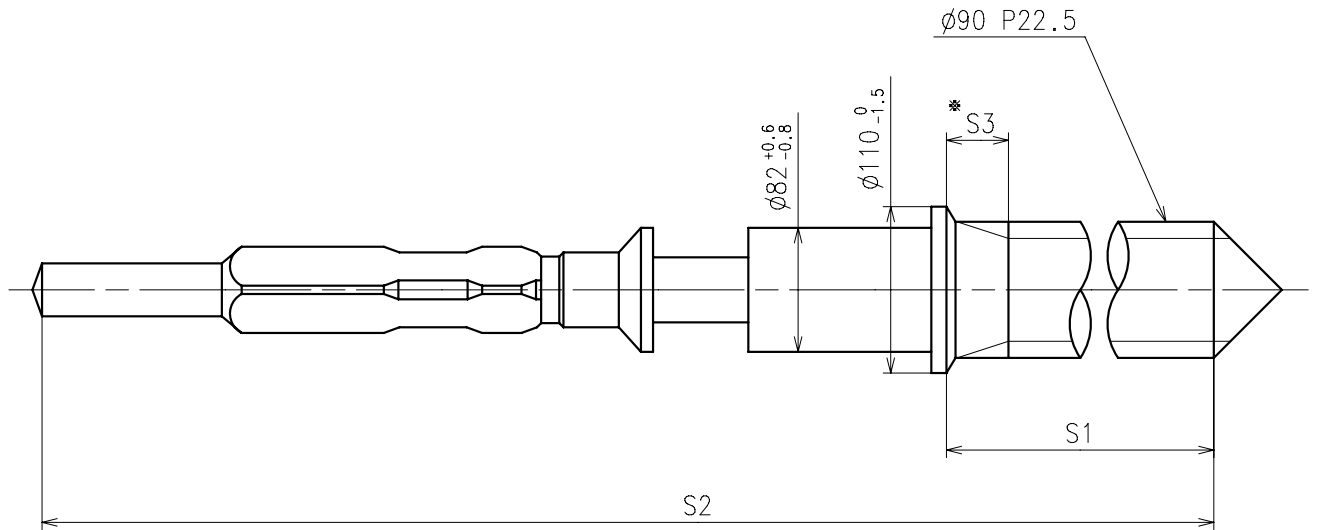
- Hour hand unbalance  $\leq 0.9\mu\text{ N}\cdot\text{m}$  ( $90\mu\text{ g}\cdot\text{m}$ )
- Minute hand unbalance  $\leq 0.9\mu\text{ N}\cdot\text{m}$  ( $90\mu\text{ g}\cdot\text{m}$ )
- Second hand unbalance  $\leq 0.1\mu\text{ N}\cdot\text{m}$  ( $10\mu\text{ g}\cdot\text{m}$ )



	Parts No.				
	Hour wheel	Center wheel	Fourth wheel	Date wheel	24 Hour wheel
Type M (2) VX7RE**	0271658	0221602	0241559	0970503	1002559



	L1	L2	L3	L4	L5	L6	L7	T	R
Type M (2) VX7RE**	143	186	229	40	63	MIN: 50	MAX: 50	15	MAX: 1250

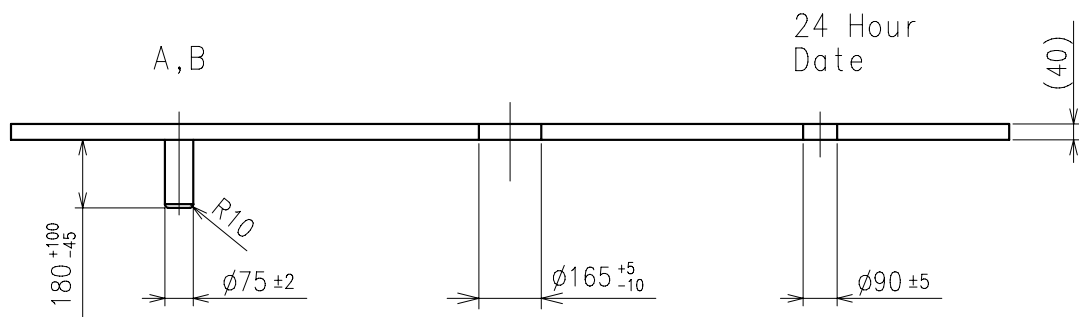
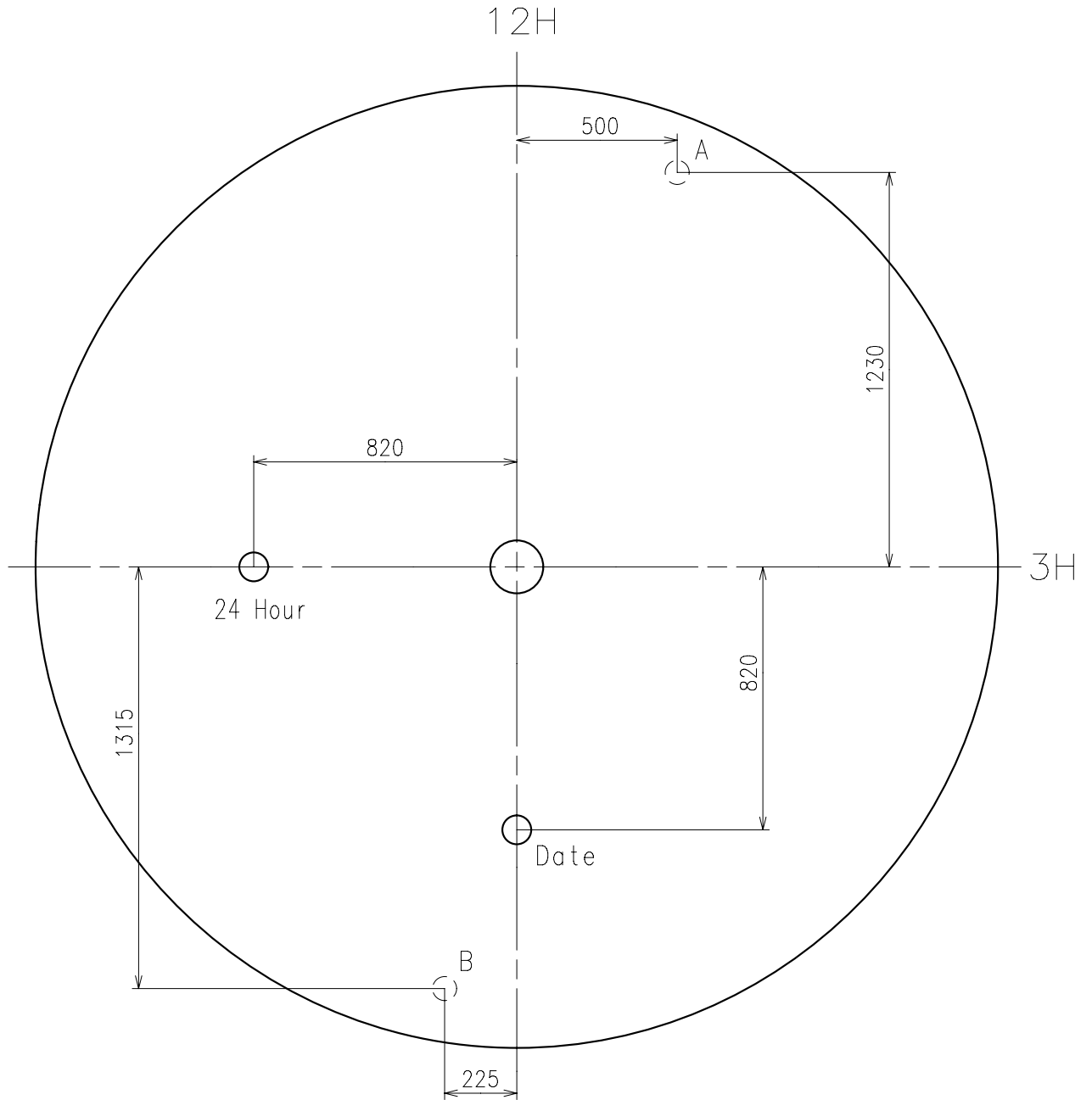


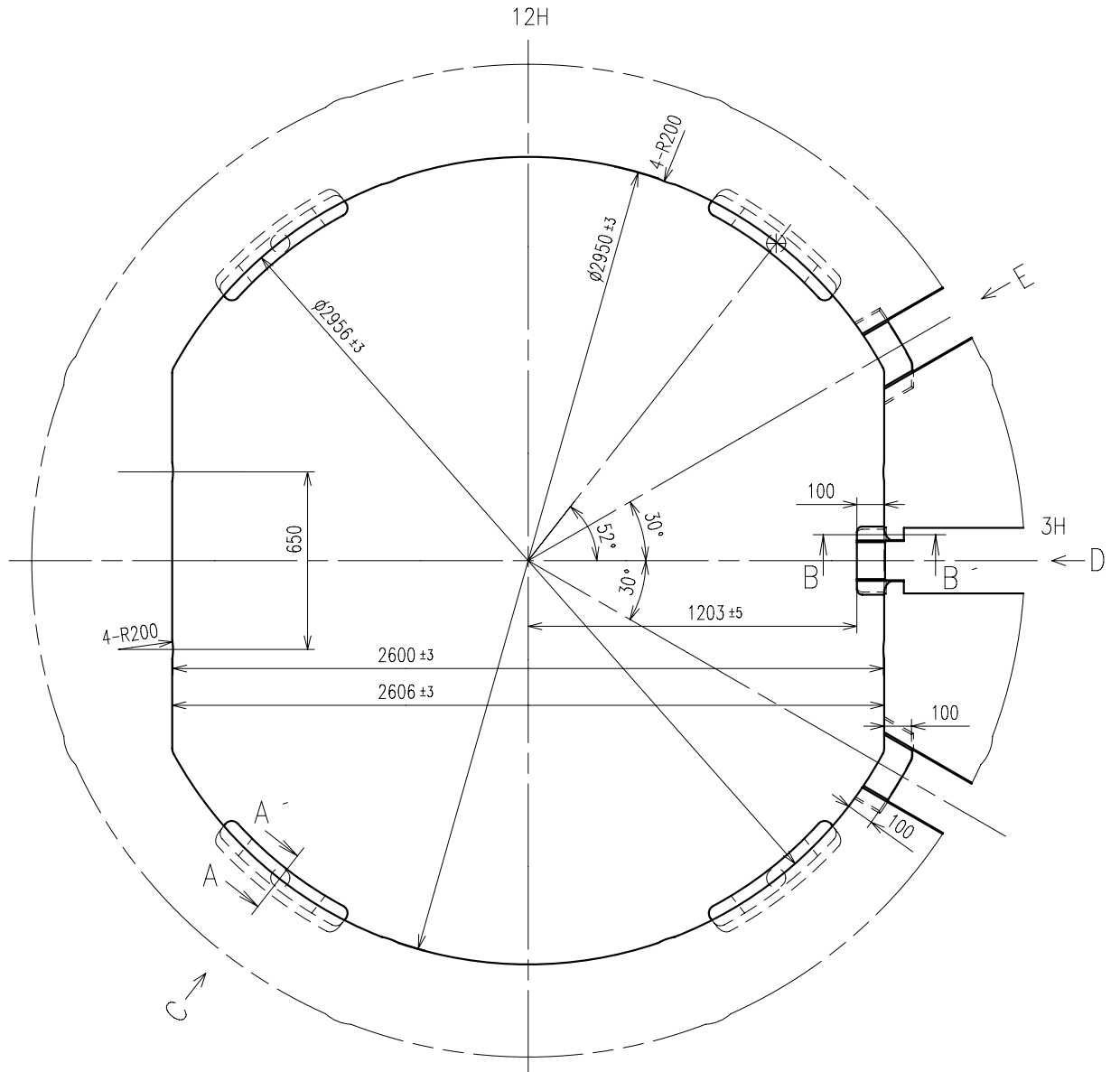
\* Not threaded

	Part No.	S1	S2	* S3
Type-1	0351578	2507	3105	650

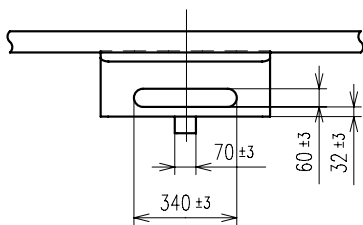
Material : Steel

Hardness : Vickers  $600 \pm 50$

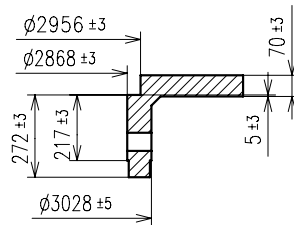




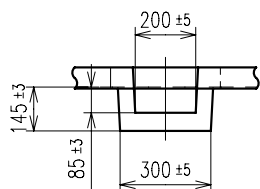
C view



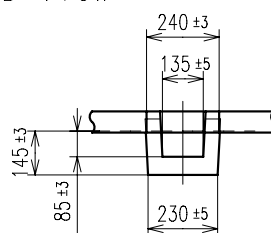
A-A' section



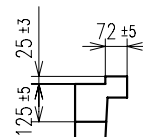
E view



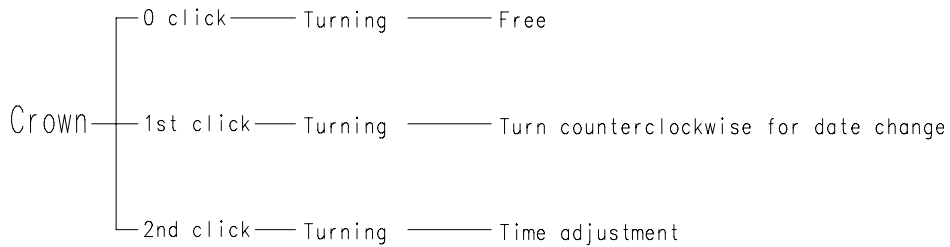
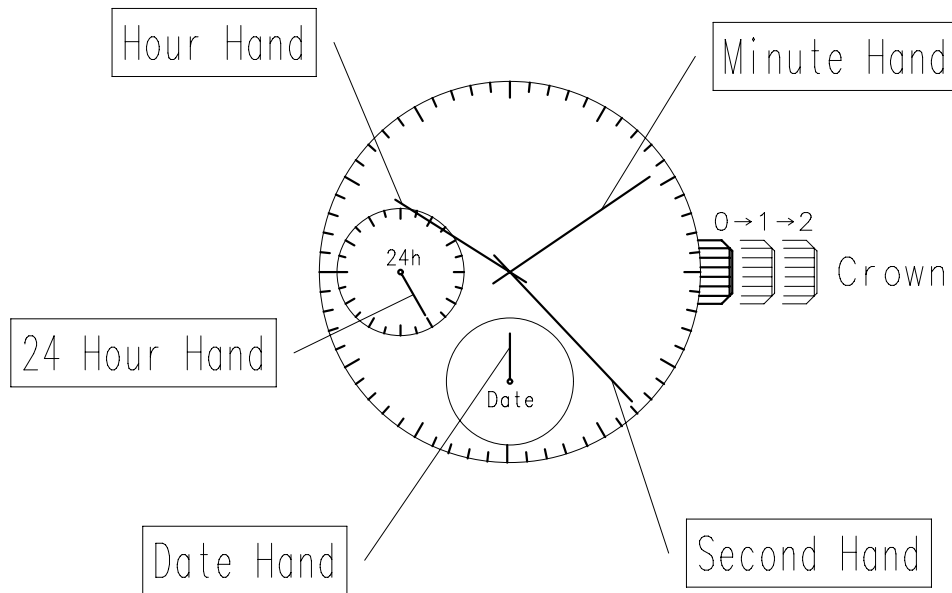
D view



B-B' section







\* Do not set the date between 9:00 PM and 1:00 AM.  
Otherwise, the date may not change properly.