

Cal. NE20A

ϕ 27.40 mm

H 5.32 mm

| Item | Version No. |
|-------------------|-------------|
| Specification | Version 1 |
| Appearance | Version 1 |
| Casing | Version 1 |
| Hand Fitting | Version 1 |
| Hand Setting Stem | Version 1 |
| Dial | Version 1 |
| Casing Ring | Version 1 |
| Assembly Plan | Version 1 |
| Hands | Version 1 |
| Casing Clamp | Version 1 |
| | |



MOVEMENT SPECIFICATION

CAL. NE20A 12 Ligne Mechanical Movement Three Hands with Date, Day and Power Reserve Hand

1. MOVEMENT DIMENSIONS

- Outside diameter ϕ 27.40 mm
- Casing diameter ϕ 27.00 mm
- Total height 6.15 mm

2. BASIC FUNCTIONS

- Winding mechanism Manual winding
Automatic winding with ball bearing
Both winding with one way clutch
- Calendar Date and day display with quick date correction
- Shock resistance Shock-absorber device for balance staff
- Jewels 29 jewels
- Regulation hands unbalance Date, day & power reserve hands : Less than 0.10 μ N·m (10 mg·mm)
Second : Less than 0.20 μ N·m (20 mg·mm)
Minute : Less than 1.25 μ N·m (125 mg·mm)
Hour : Less than 1.50 μ N·m (150 mg·mm)
- Antimagnetic DC : \geq 4800 A / m
AC : \geq 1600 A / m

3. TIME PERFORMANCE

- Accuracy -15 ~ +25 second per day
at normal temperature range
- Vibration frequency 28,800 vibrations per hour
- Duration time More than 45 hours

4. HANDLING AND CORRECTIONS

- 1) Crown at normal position Clockwise : Manual winding
Counterclockwise : Free
- 2) Crown pulled out to 1st click Clockwise : Quick day correction
Counterclockwise : Quick date correction
- 3) Crown pulled out to 2nd click Time setting, second hand reset

5. DIAL FIXED METHOD

The dial is fixed by two dial leg holes with eccentric pins

6. FITTING FORCE FOR HANDS

Day, date, power reserve & second hand : Less than 30 N
Minute hand : Less than 50 N
Hour hand : Less than 50 N

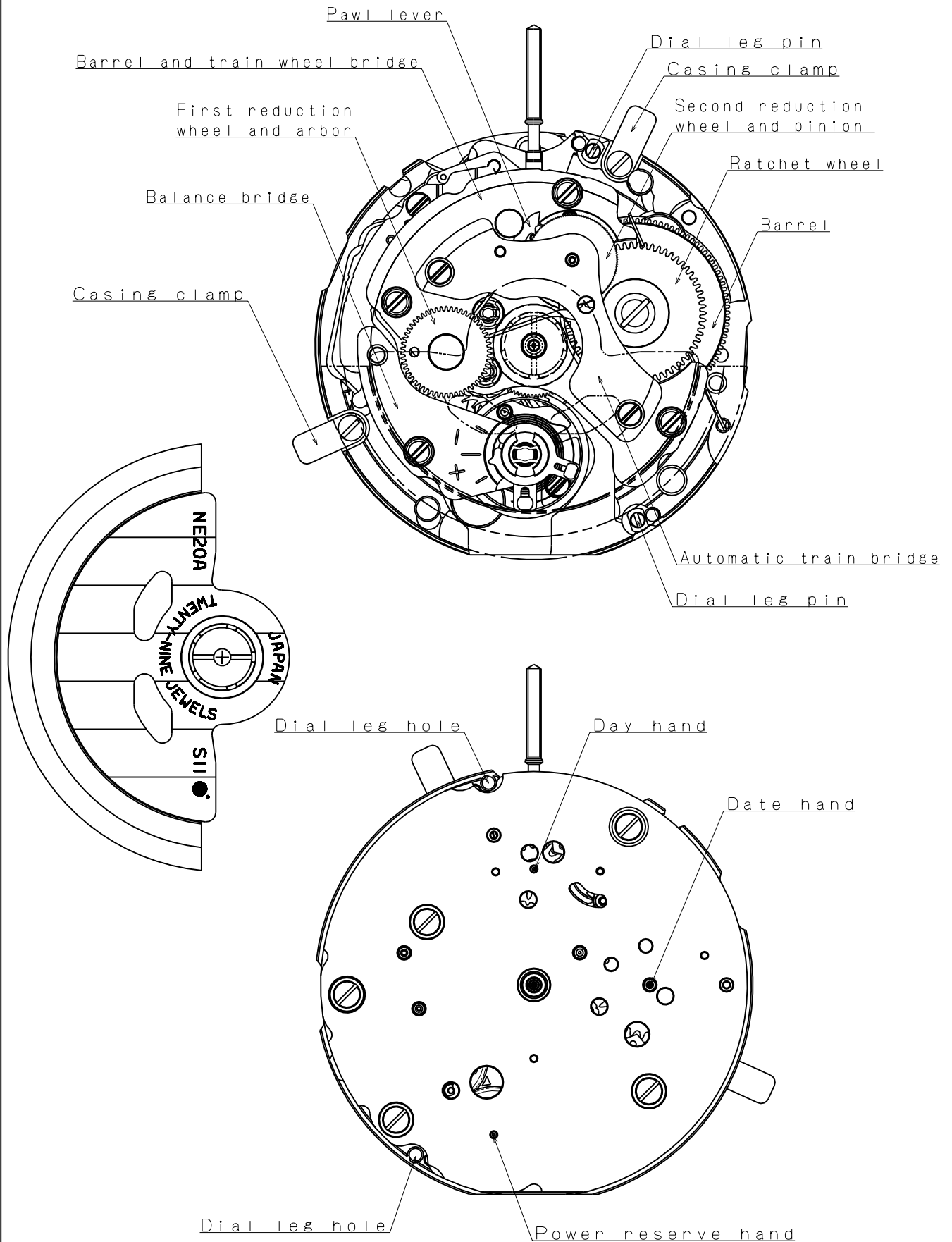
7. CASING

The movement is fixed by the casing clamps
*1. Non-corresponding with Diver's watch

8. TEST OF ACCURACY

- Equipment to be used Witschi WATCH EXPERT
- Duration of measurement 20 seconds

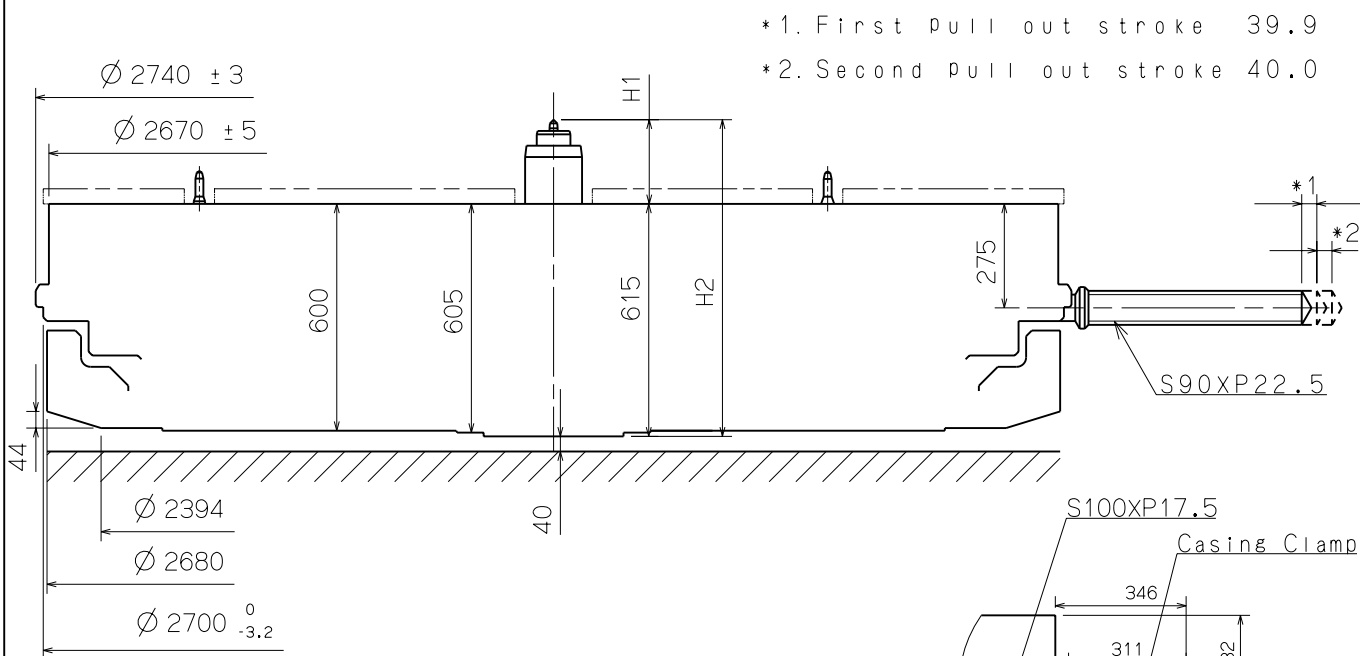
*** All specifications are subject to change without notice.**



Scale : 3/1

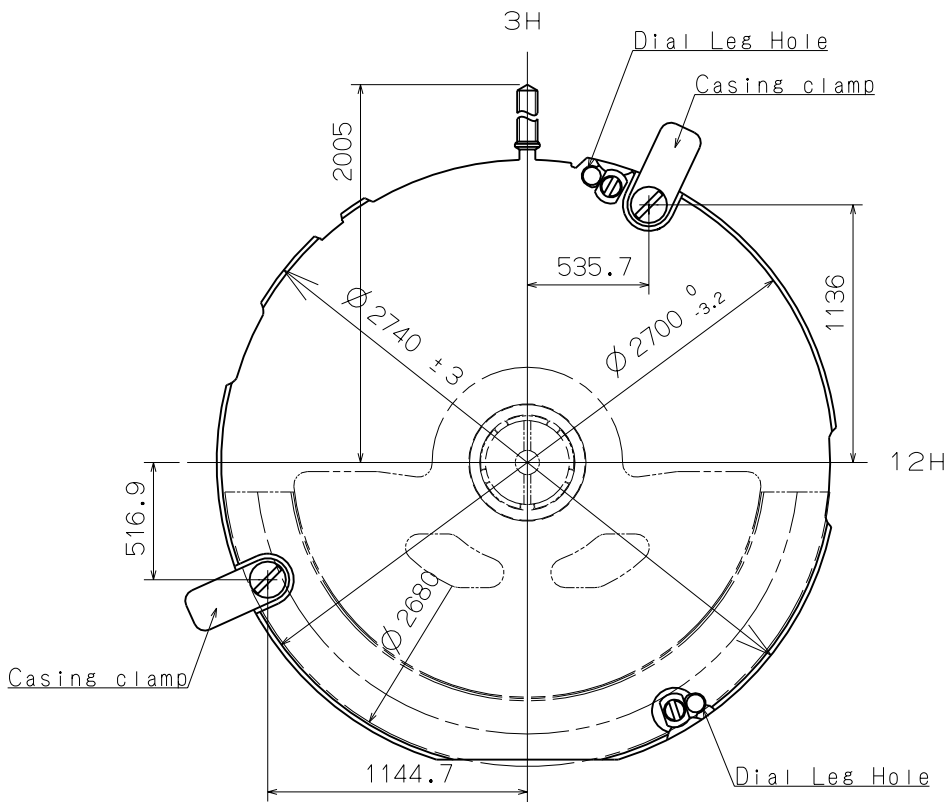
Version : 1

Unit : 1=1/100mm



*1. First pull out stroke 39.9
*2. Second pull out stroke 40.0

| Center post | | Type M |
|--------------------------------------|----|--------|
| Maximum height from movement surface | H1 | 222.7 |
| Total height incl. movement | H2 | 837.7 |



Scale = 3/1

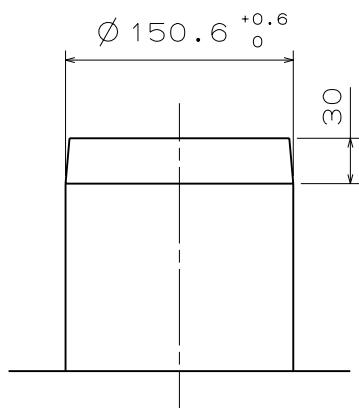
Scale : 5/1 (3/1)
Unit : 1=1/100mm

Version : 1

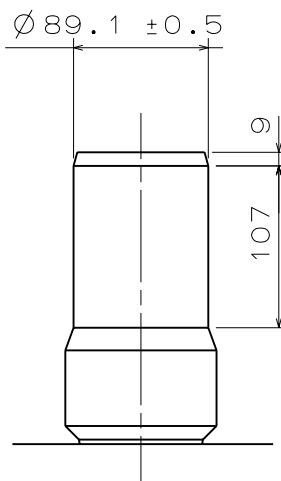
Hour hand unbalance $\leq 1.5\mu\text{N}\cdot\text{m}$ (150mg·mm)
 Minute hand unbalance $\leq 1.25\mu\text{N}\cdot\text{m}$ (125mg·mm)
 Second hand unbalance $\leq 0.2\mu\text{N}\cdot\text{m}$ (20mg·mm)

Date hand unbalance $\leq 0.1\mu\text{N}\cdot\text{m}$ (10mg·mm)
 Day hand unbalance $\leq 0.1\mu\text{N}\cdot\text{m}$ (10mg·mm)
 Power Reserve hand unbalance $\leq 0.1\mu\text{N}\cdot\text{m}$ (10mg·mm)

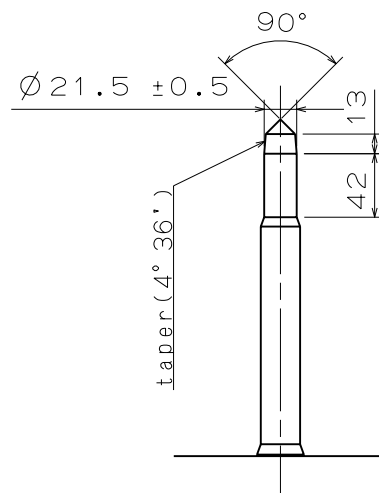
HOURLY HAND FITTING
Hour wheel:0273 029



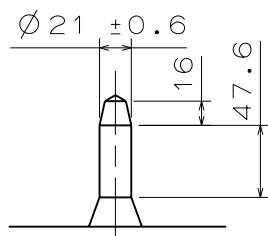
MINUTE HAND FITTING
Cannon pinion:0225 120



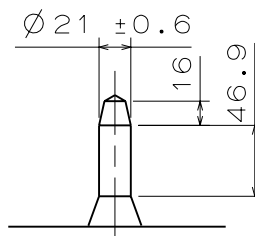
SECOND HAND FITTING
Fourth wheel
and pinion:0241 216



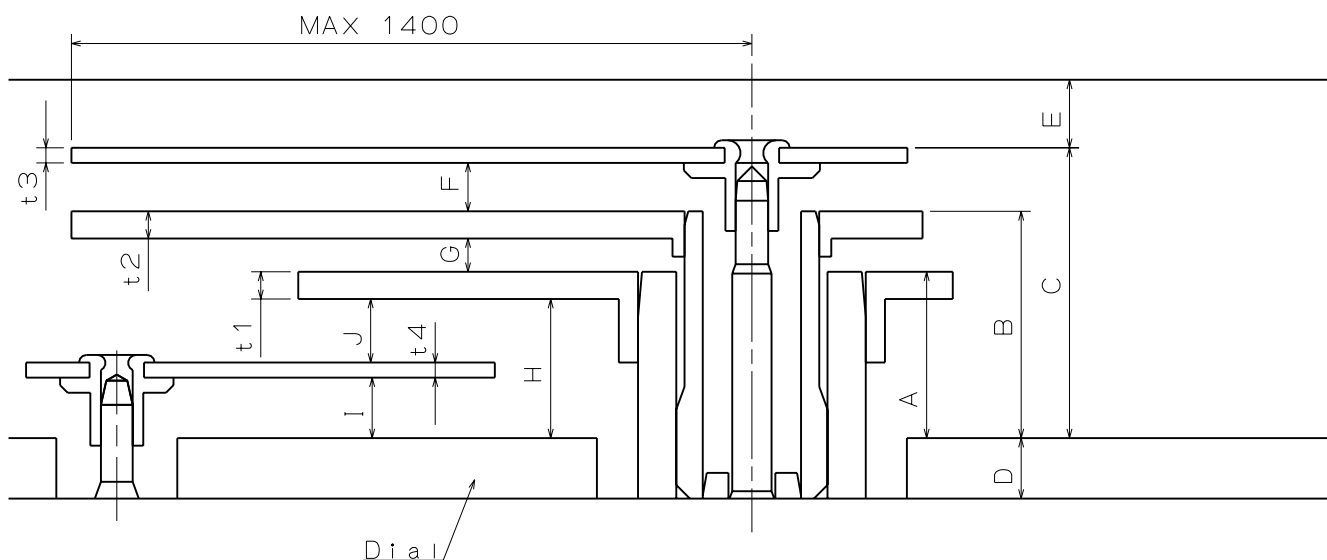
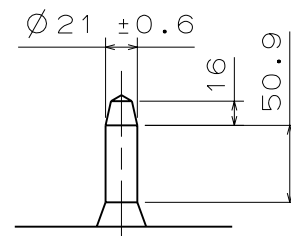
DATE HAND FITTING
Date star:0970 002



DAY HAND FITTING
Day star:0970 003



POWER RESERVE HAND FITTING
Power reserve wheel:1019 002

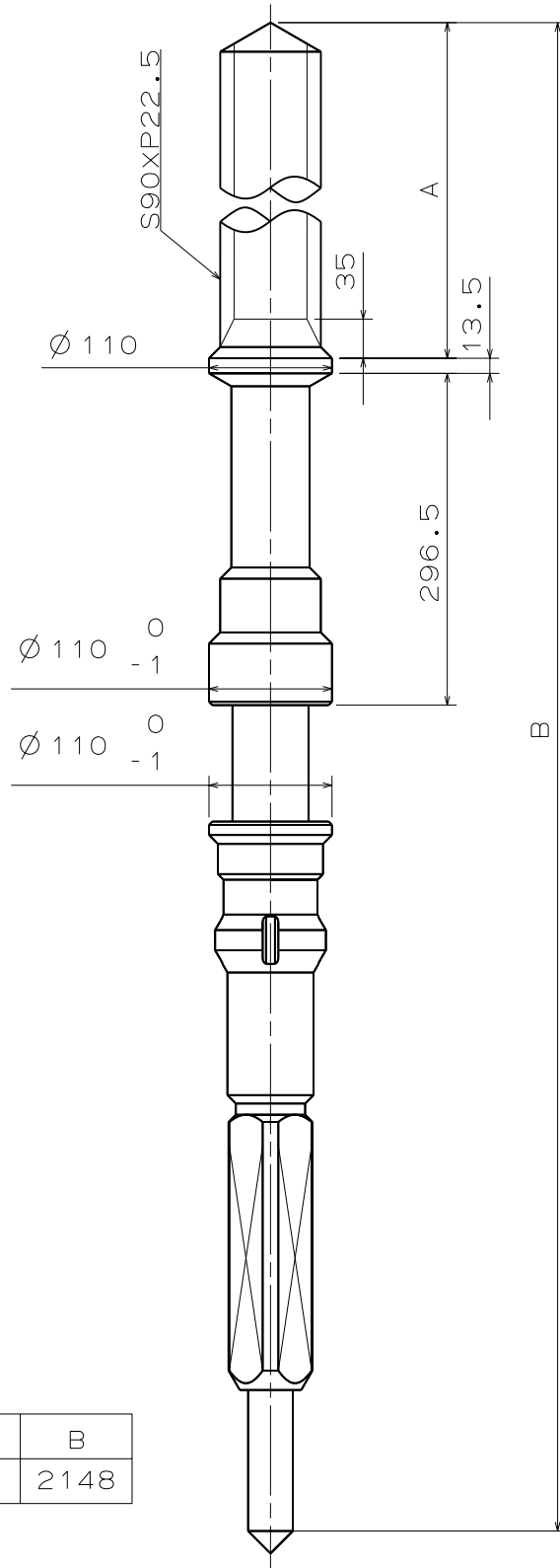


| | A | B | C | D | E | F | G | H | I | J | t1 | t2 | t3 | t4 |
|--------|-----|-----|-----|----|----|----|----|----|----|----|----|----|----|----|
| TYPE M | 110 | 150 | 192 | 40 | 45 | 32 | 22 | 92 | 40 | 42 | 18 | 18 | 10 | 10 |

Scale : 20/1

Unit : 1=1/100mm

Version:1

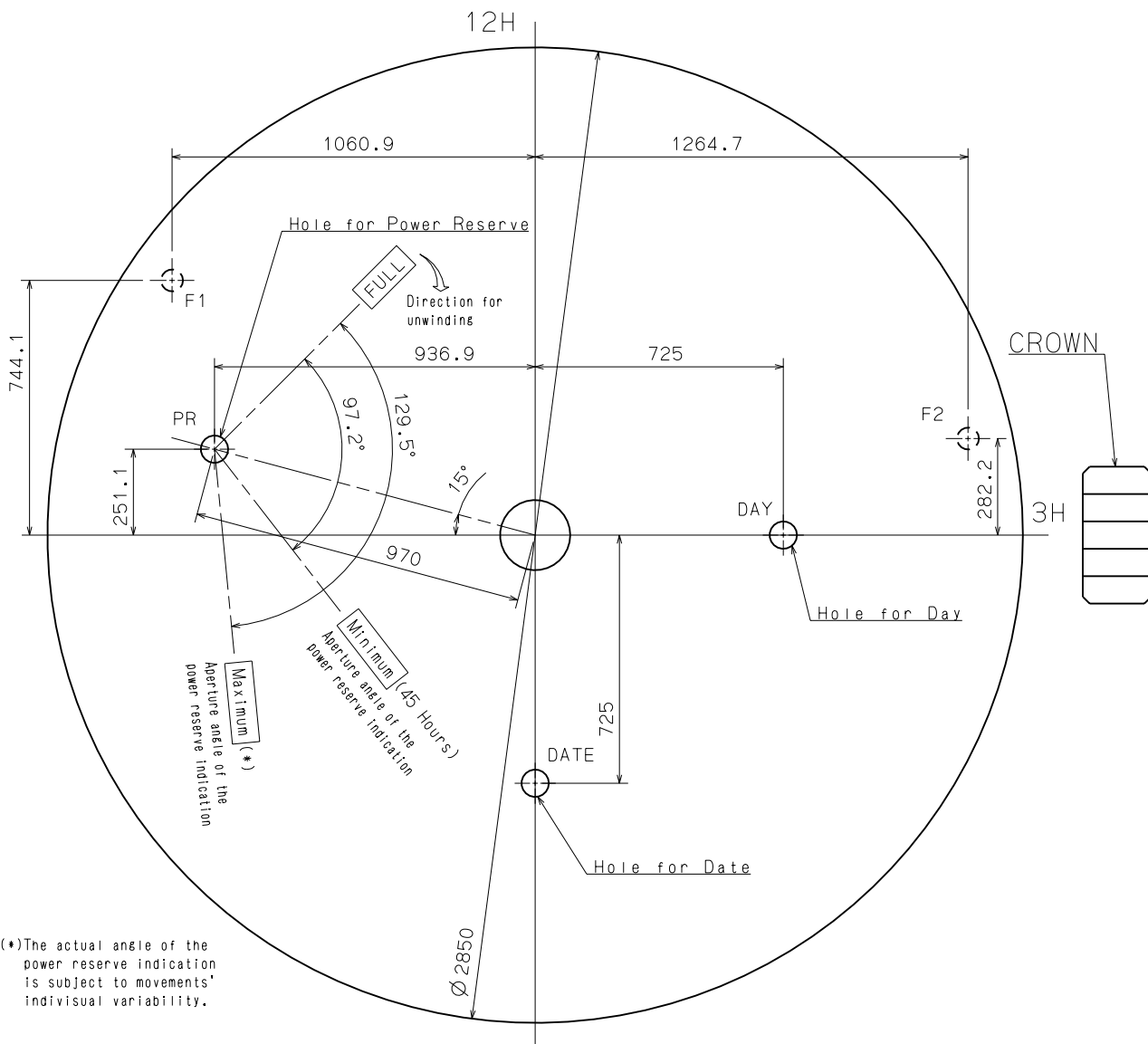


| Parts No. | A | B |
|-----------|------|------|
| 0351 200 | 1100 | 2148 |

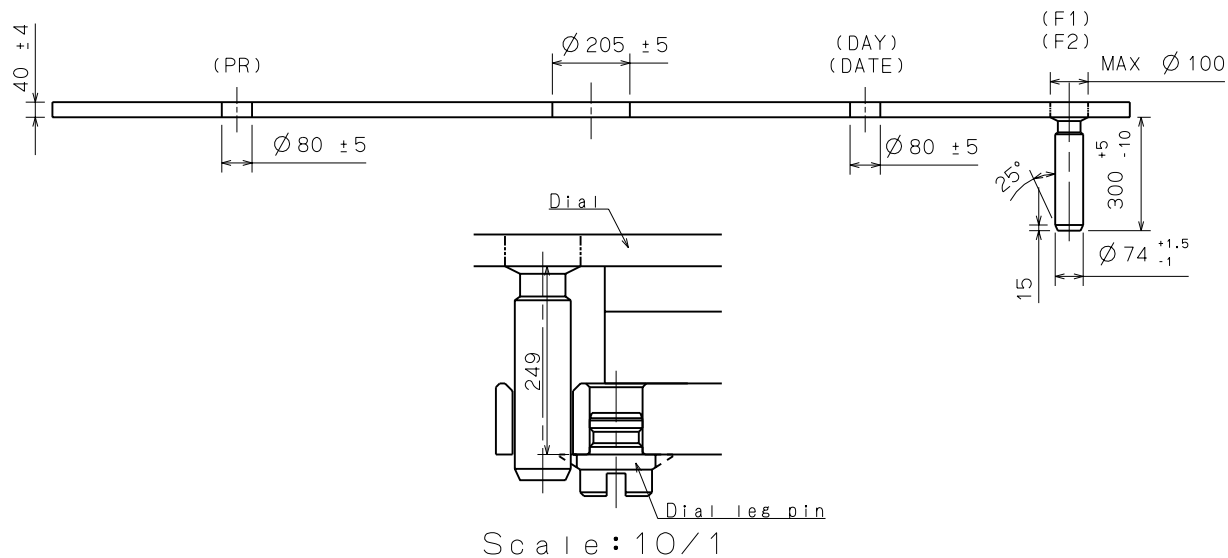
Scale : 15/1

Unit : 1=1/100mm

Version: 1



(*)The actual angle of the power reserve indication is subject to movements' individual variability.

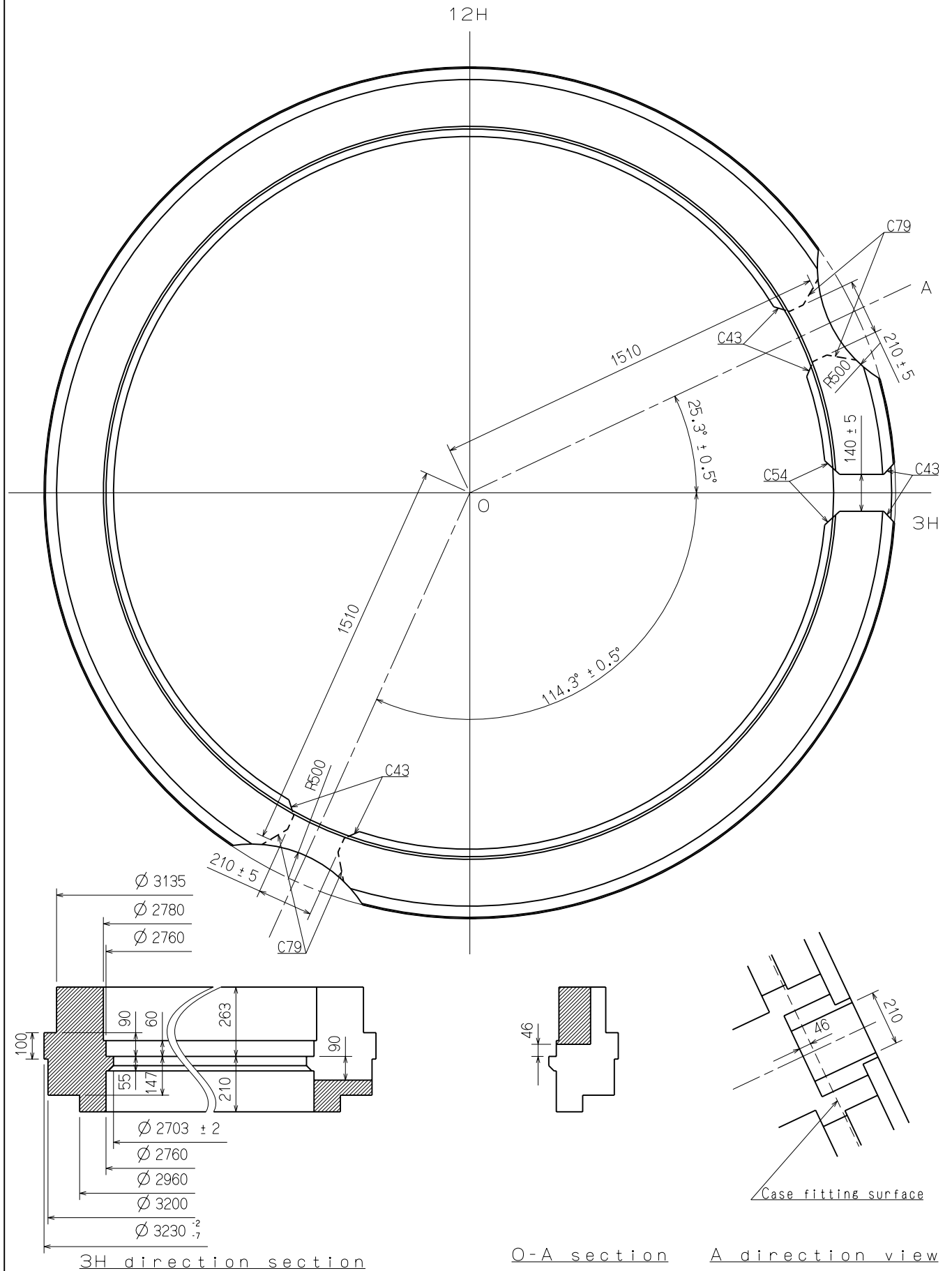


Scale : 10/1

Scale : 5/1 (10/1)

Version : 1

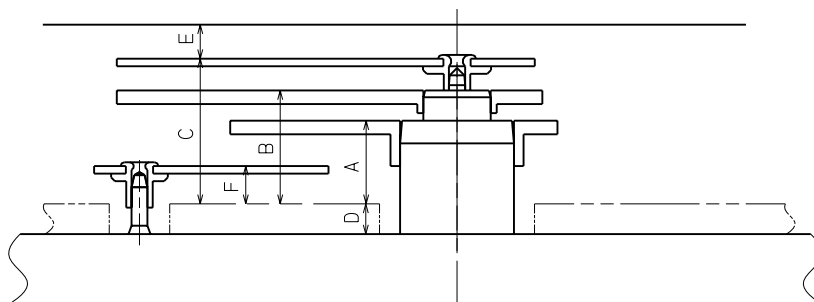
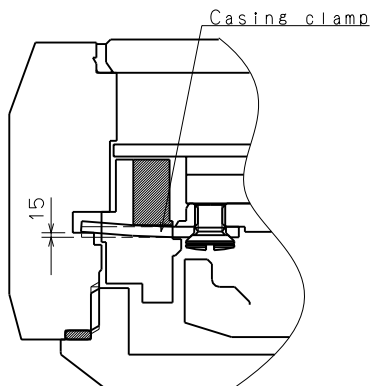
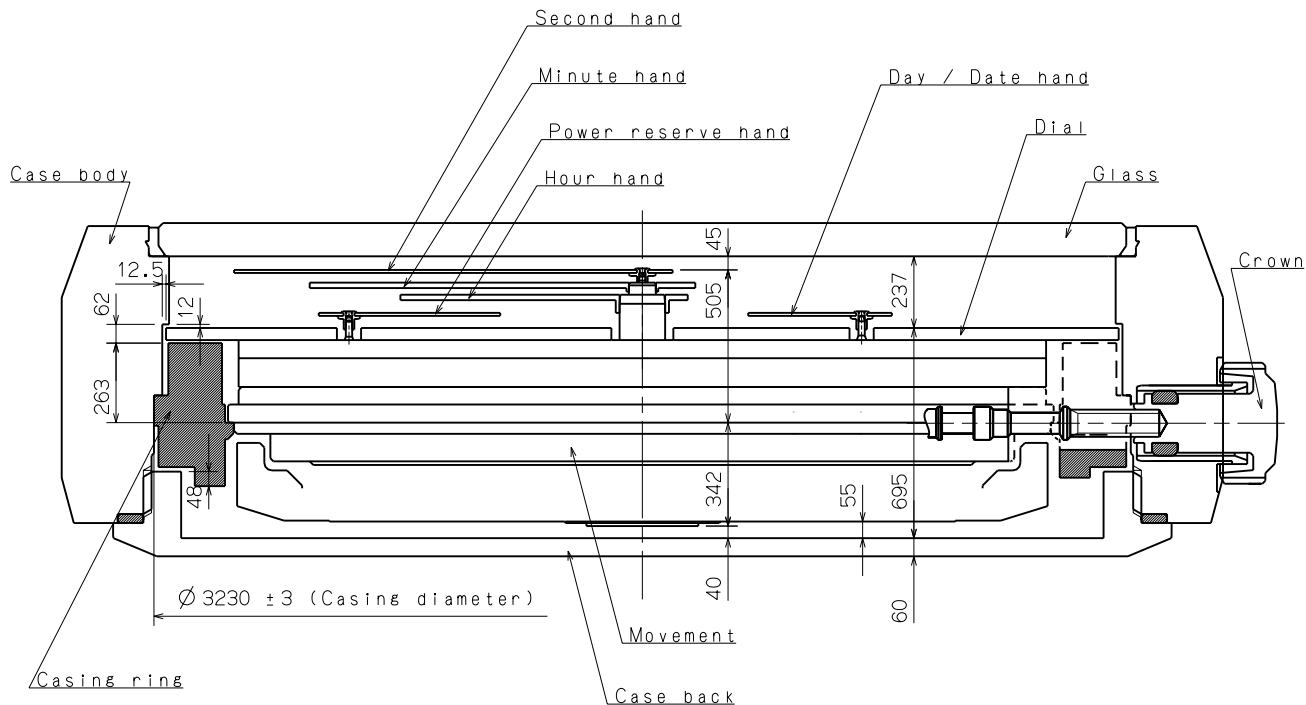
Unit : 1=1/100mm



Scale : 5/1

Version : 1

Unit : 1=1/100mm

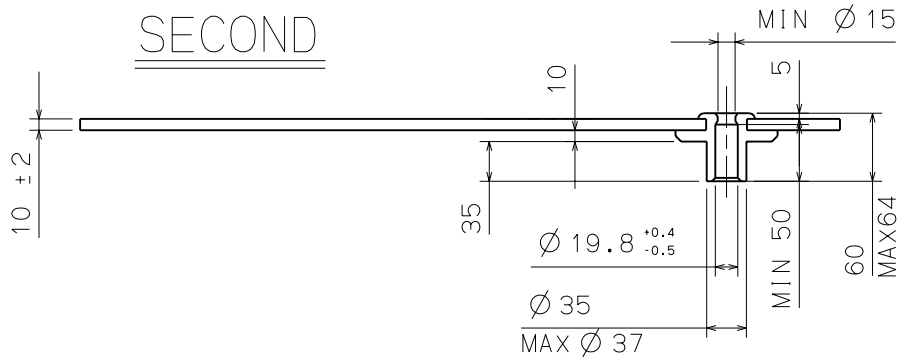


| | | | | | | |
|--------|-----|-----|-----|----|----|----|
| TYPE M | A | B | C | D | E | F |
| | 110 | 150 | 192 | 40 | 45 | 50 |

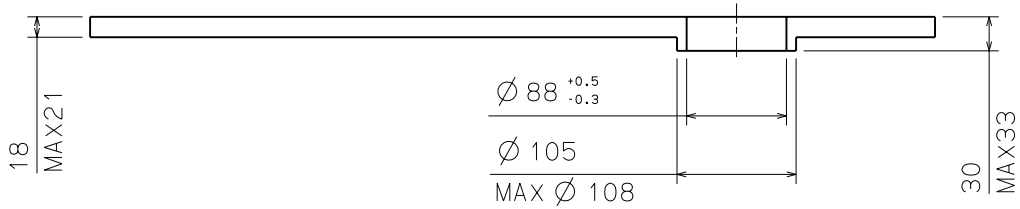
Scale : -
Unit : 1=1/100mm

Version:1

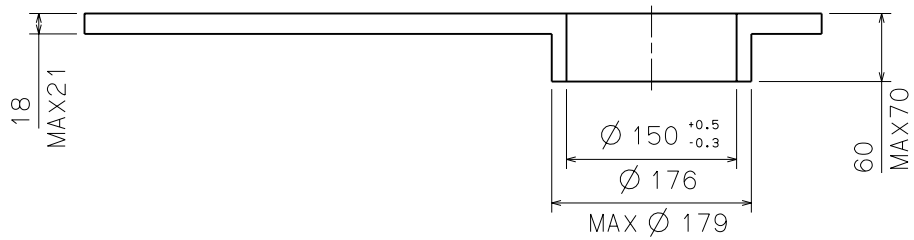
SECOND



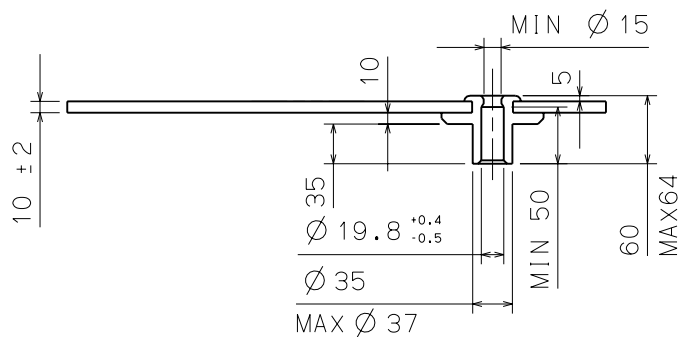
MINUTE



HOUR

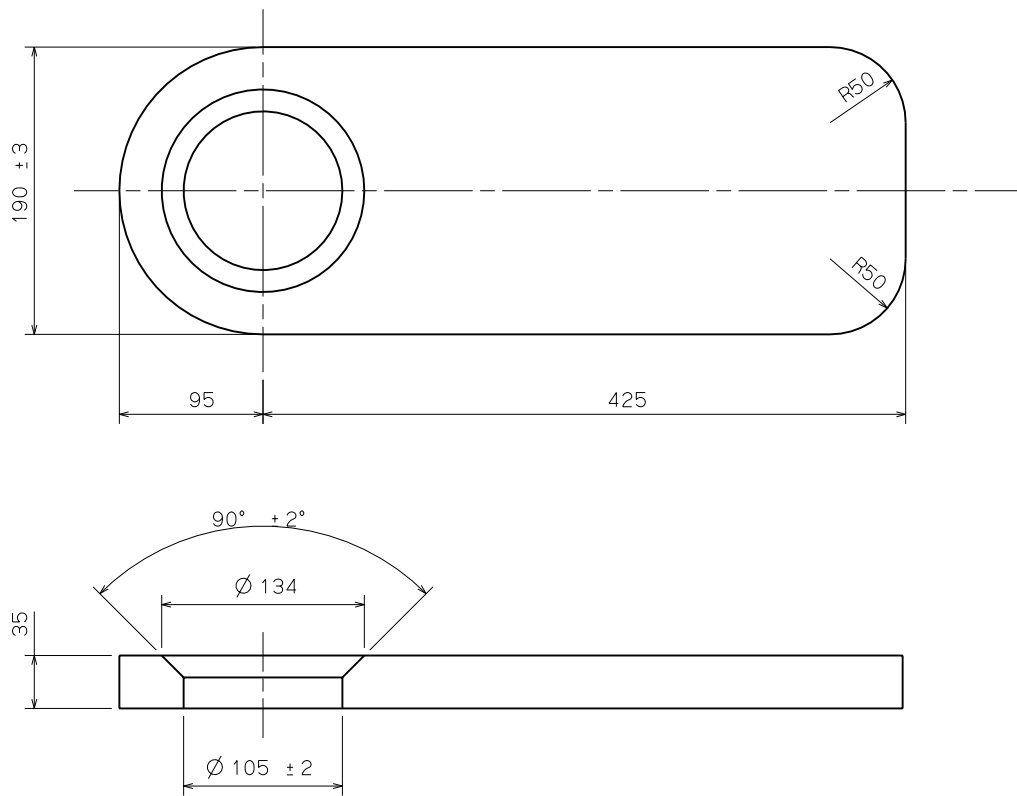


DAY/DATE/POWER RESERVE



Scale : -
Unit : 1=1/100mm

Version : 1



Scale : 20/1

Version : 1

Unit : 1=1/100mm